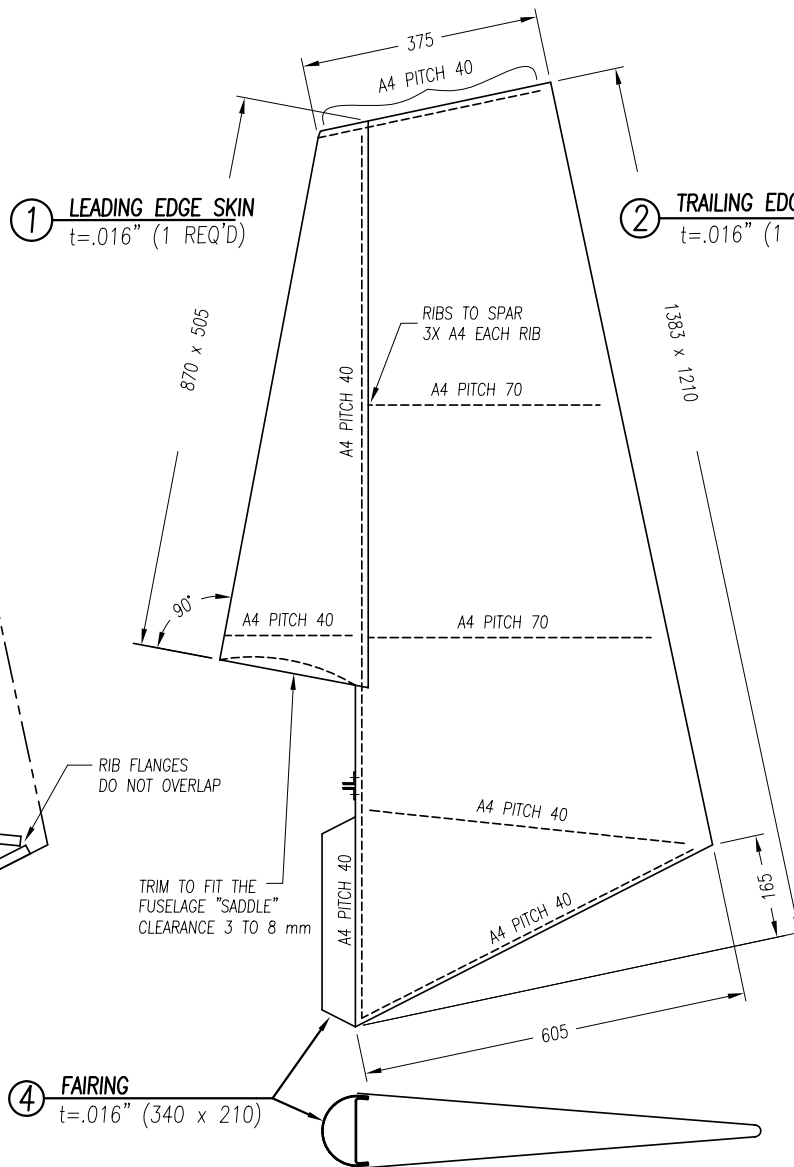
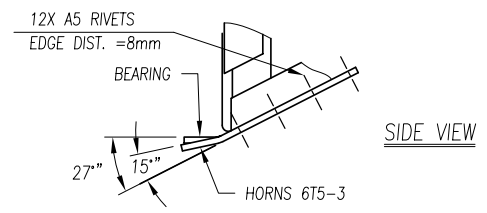


⑤ **BENT STRIP**
35 x 77 t=.025"

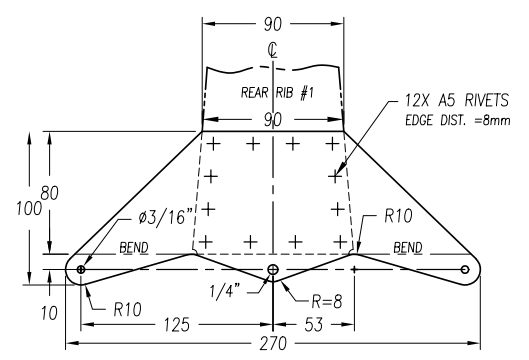


① **LEADING EDGE SKIN**
t=.016" (1 REQ'D)

② **TRAILING EDGE SKIN**
t=.016" (1 REQ'D)



SIDE VIEW



③ **VERTICAL TAIL HORN**
t=.125" 270 x 100 (1 REQ'D)

④ **FAIRING**
t=.016" (340 x 210)

| | | |
|--|--------------------------------|-------|
| ZODIAC CH 601 HD | VERTICAL TAIL SKELETON & SKINS | 6-T-5 |
| | VERTICAL TAIL HORN | |
| copyright © 2000 C. Heintz zenithair.com <small>EDITION: 4th 08/00</small> | | |