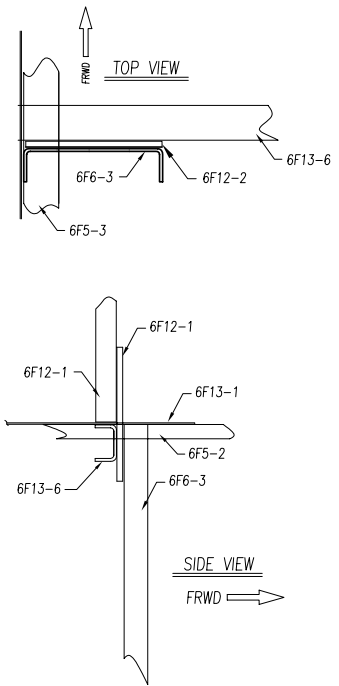
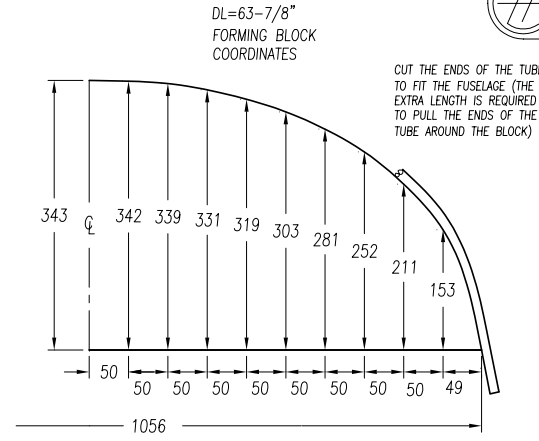


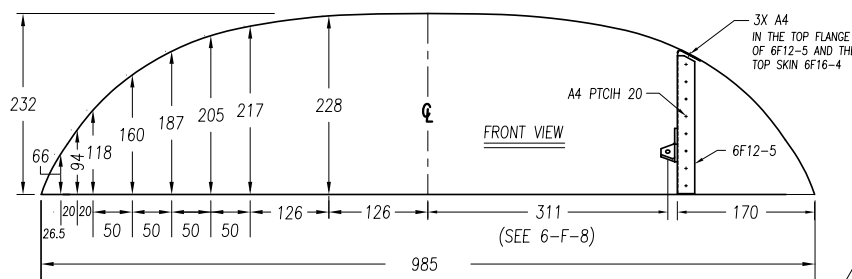
**6** FITTING (4 REQ'D)  
1" X 3/4" X 1/8" EXTRUSION



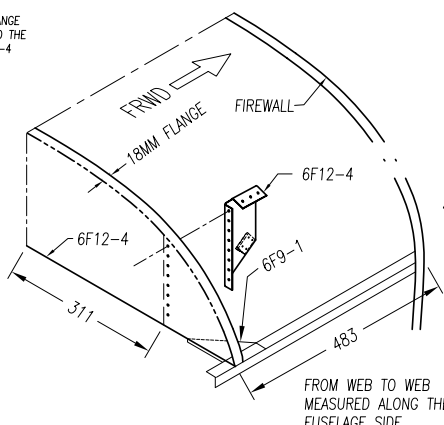
**2** GUSSET  
t=.063" (2 REQ'D)



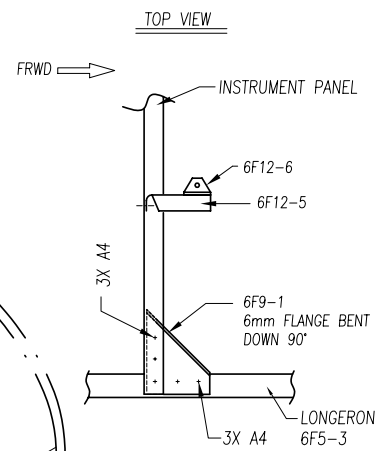
**1** B3 TUBE FRAME  
TUBE 3/4"X.058" (1REQ'D)  
(6061-T6)



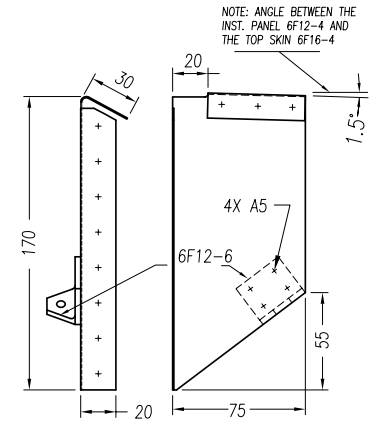
**4** INSTRUMENT BULKHEAD  
t=.025" (1 REQ'D)



FROM WEB TO WEB MEASURED ALONG THE FUSELAGE SIDE



**5** FITTING SUPPORT  
t=.025" (2 REQ'D, 1L & 1 R)



NOTE: ANGLE BETWEEN THE INST. PANEL 6F12-4 AND THE TOP SKIN 6F16-4