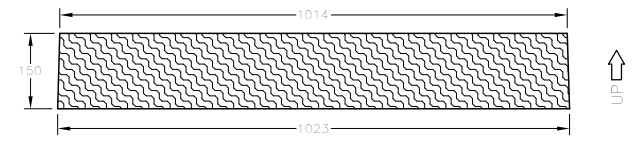
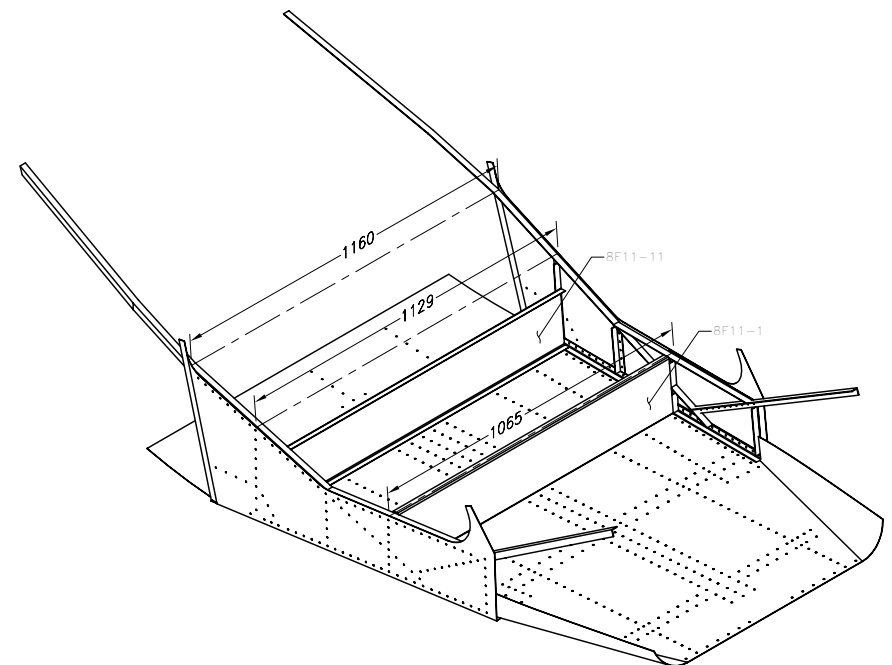
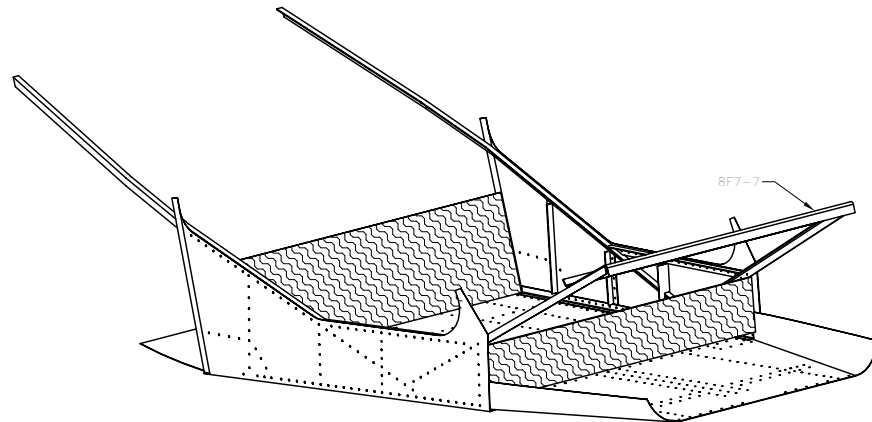


CABIN SIDE REAR SPACER TEMPLATE



CABIN SIDE FORWARD SPACER TEMPLATE



STOL CH 801	ORIGINAL INFO MJM 01/25/02 REVISION INFO	DESCRIPTION	ASSY NO.
		CABIN SIDE INSTALLATION: POSITIONING TEMPLATES	8FF-1
		COPYRIGHT © 2002 ZENITH AIRCRAFT CO. WWW.ZENITHAIR.COM	