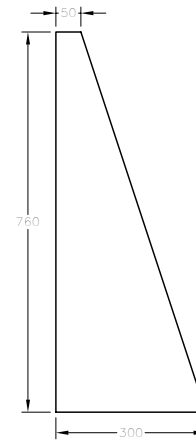
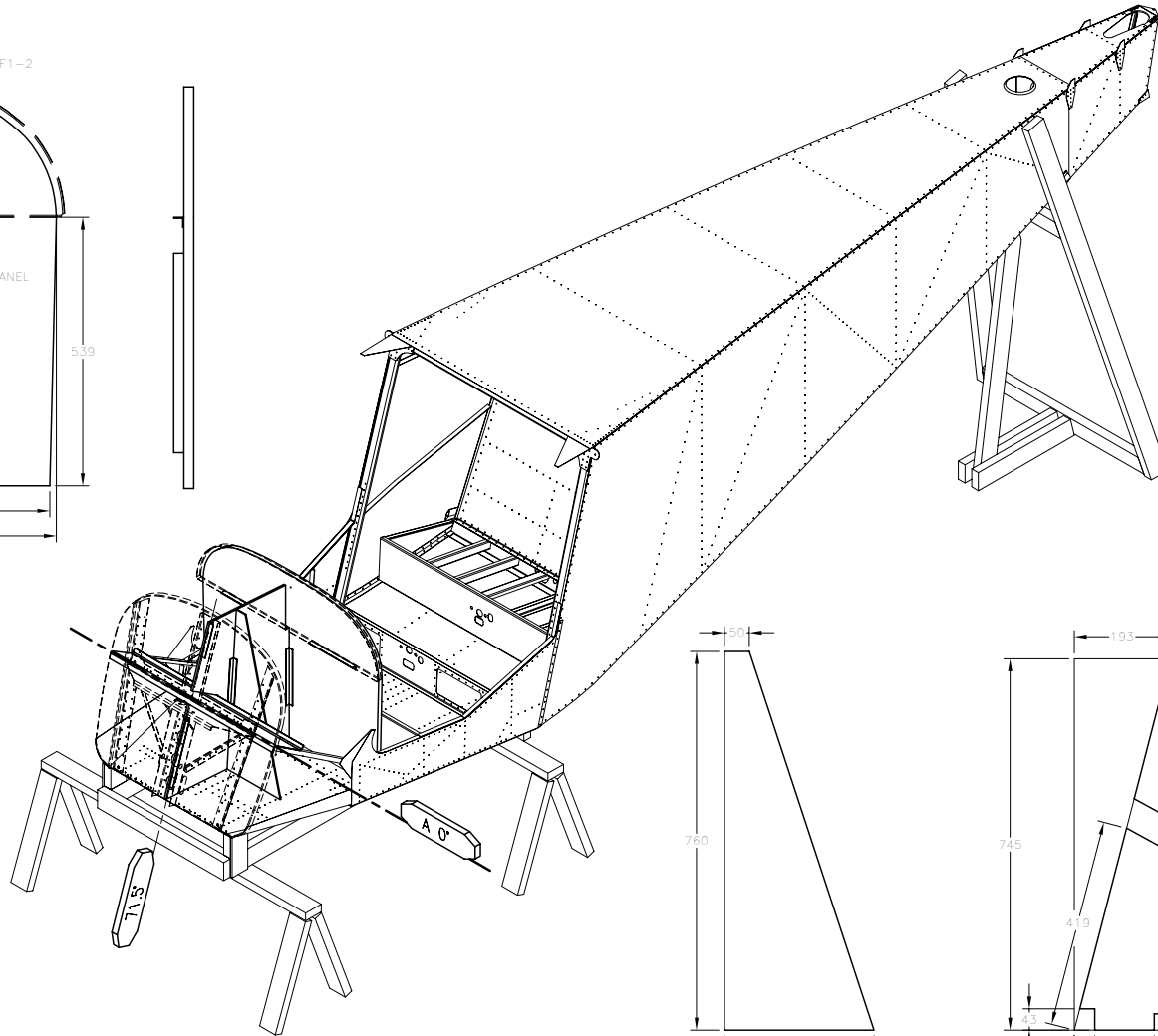
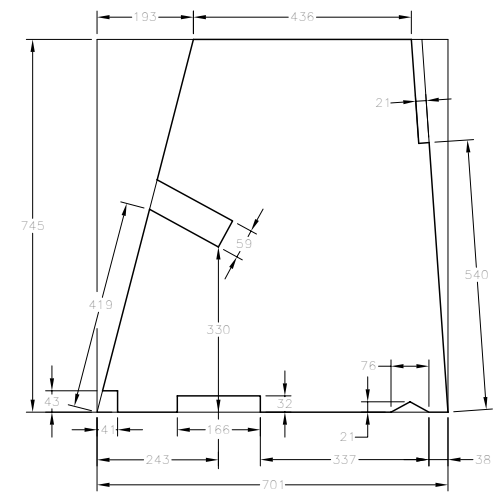


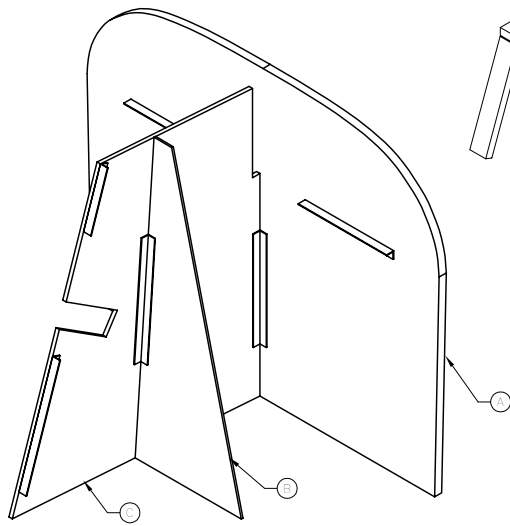
A INSTRUMENT PANEL TEMPLATE



B TEMPLATE SUPPORT



C FIREWALL TEMPLATE



SECURE FIREWALL, 8F1-1, TO TEMPLATE 'C'.
 SECURE INSTRUMENT PANEL, 8F1-2, TO TEMPLATE 'A'.
 SECURE TEMPLATE 'A' TO 'C' AND THEN TO TEMPLATE 'B'.

STOL CH 801	ORIGINAL INFO MJM 04/01/02	DESCRIPTION FUSELAGE: CABIN FIREWALL AND INSTRUMENT PANEL	ASSY NO. 8FC-2
	REVISION INFO	COPYRIGHT © 2002 ZENITH AIRCRAFT CO. WWW.ZENITHAIR.COM	