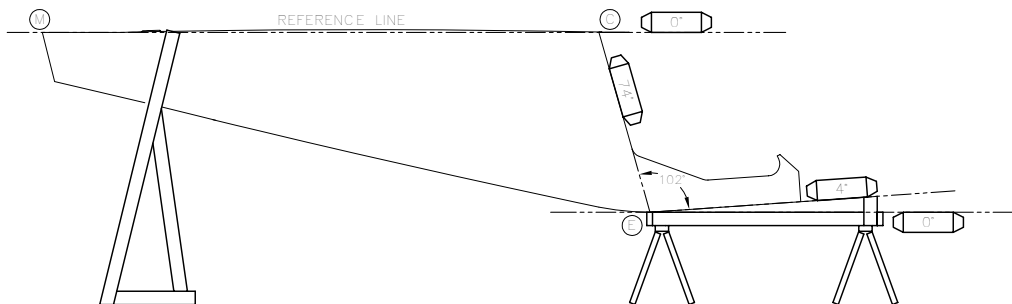
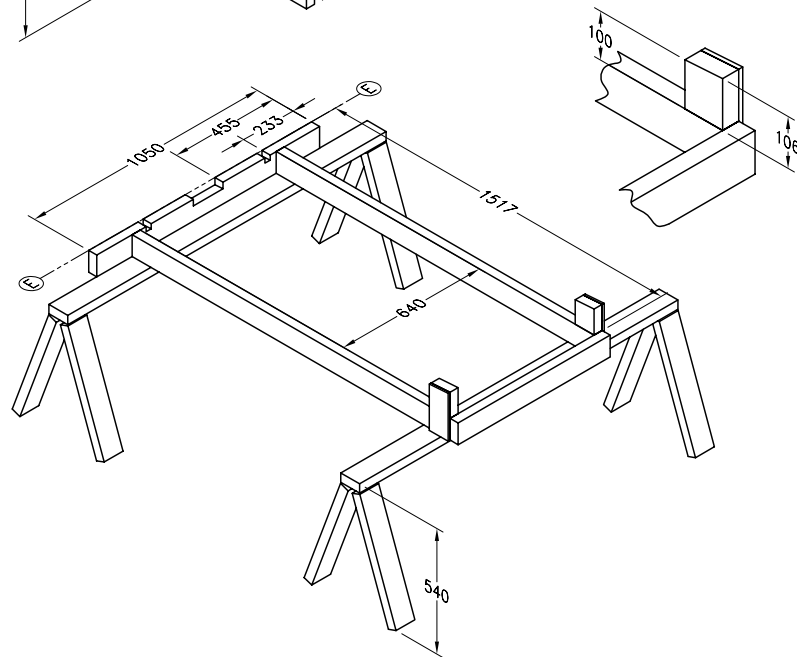
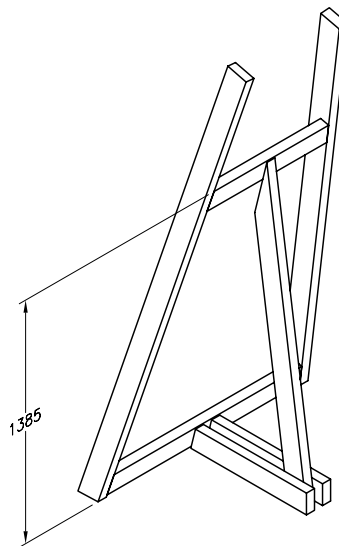
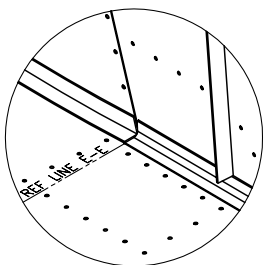


LEVEL -SAW HORSES AND BETWEEN  
-REF LINE M-C - ACROSS TOP

ALIGNMENT -FRONT OF FIREWALL  
-REF LINE E-E

CHECK -CENTERLINE ON TOP SKIN  
-PLUM LINE ON CABIN FLOOR

USE A STRAP TO SECURE FUSELAGE



STOL CH 801	ORIGINAL INFO MJM 04/01/02 REVISION INFO	DESCRIPTION	ASSY NO.
		FUSELAGE: CABIN JOINING THE FUSELAGE	8FC-1
		COPYRIGHT © 2002 ZENITH AIRCRAFT CO. WWW.ZENITHAIR.COM	