

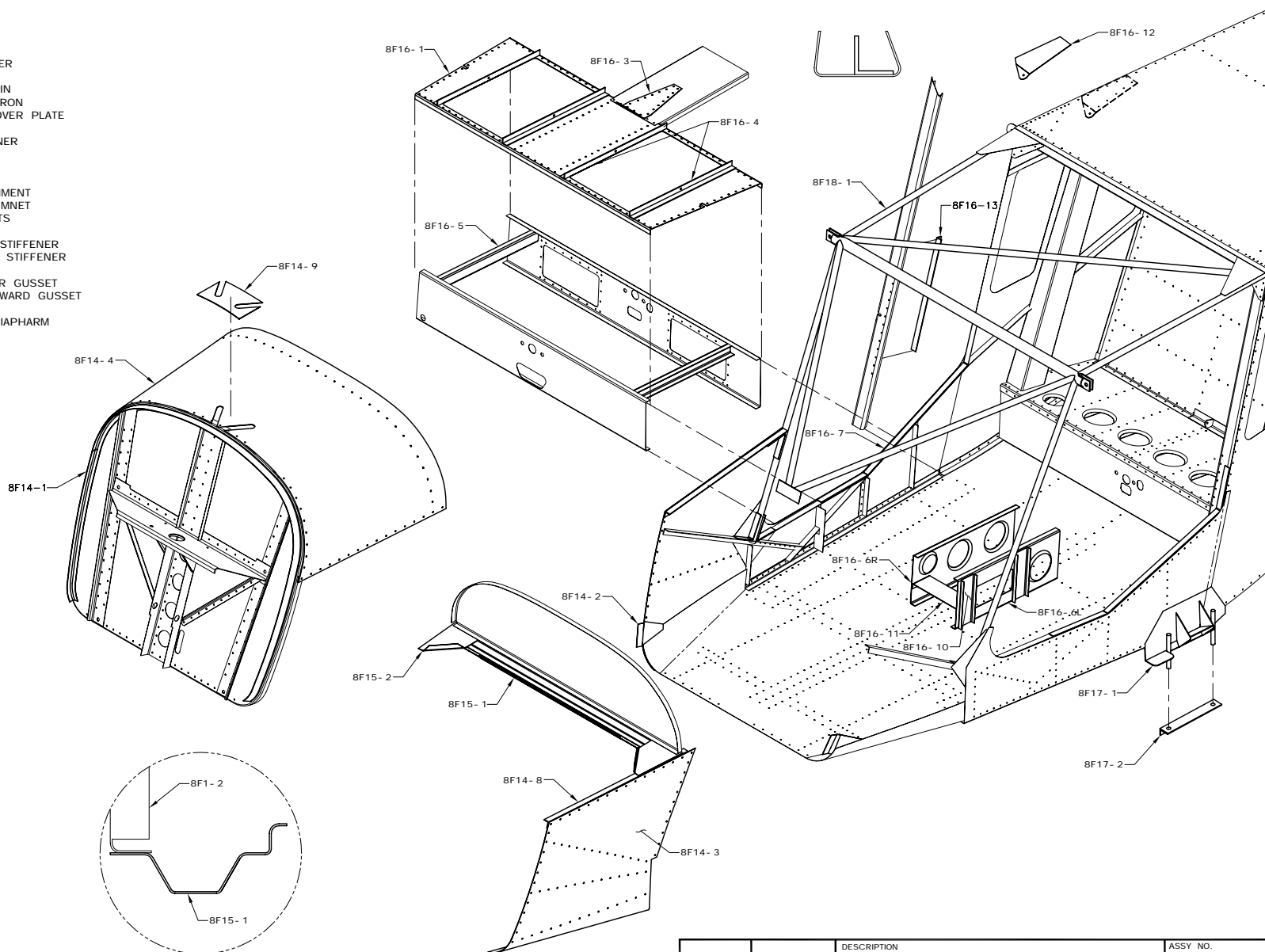
- 8F14-1 COWL STRIP
- 8F14-2 LOWER COWL STRIP DOUBLER
- 8F14-3 FRONT SIDE SKIN
- 8F14-4 INSTRUMENT PANEL TOP SKIN
- 8F14-8 FORWARD SIDE SKIN LONGERON
- 8F14-9 INSTRUMENT PANEL TOP COVER PLATE

- 8F15-1 UNDER INSTRUMENT STIFFENER
- 8F15-2 INSTRUMENT PANEL GUSSET

- 8F16-1 FRONT SEAT TOP PANEL
- 8F16-2 LATERAL SEAT BELT ATTACHMENT
- 8F16-3 CENTER SEAT BELT ATTACHMENT
- 8F16-4 SEAT ATTACHMENT BRACKETS
- 8F16-5 FRONT SEAT OB STIFFENER
- 8F16-6L LEFT FRONT SEAT CENTER STIFFENER
- 8F16-6R RIGHT FRONT SEAT CENTER STIFFENER
- 8F16-7 DOUBLER STRIP
- 8F16-8 CABIN FRAME BOTTOM REAR GUSSET
- 8F16-9 CABIN FRAME BOTTOM FORWARD GUSSET
- 8F16-10 CHANNEL
- 8F16-11 FLAP MOTOR HORIZONTAL DIAPHRAM
- 8F16-12 SEAT BELT ATTACHMENT
- 8F16-13 EXTENSION DOUBLER
- 8F16-14 DOUBLER

- 8F17-1 GEAR/ STRUT FITTINGS
- 8F17-2 MAIN GEAR SUPPORTS

- 8F18-1 CABIN FRAME



<b>STOL</b> <b>CH 801</b>	ORIGINAL INFO MJM 09/21/01 REVISION INFO MJM 12/20/02	DESCRIPTION <b>FUSELAGE: EXPLODED VIEW</b> <b>PARTS 8F14-1 TO 8F18-1</b>	ASSY NO. <b>8XF-4</b>
	COPYRIGHT © 2001 ZENITH AIRCRAFT CO. WWW.ZENITHAIR.COM		