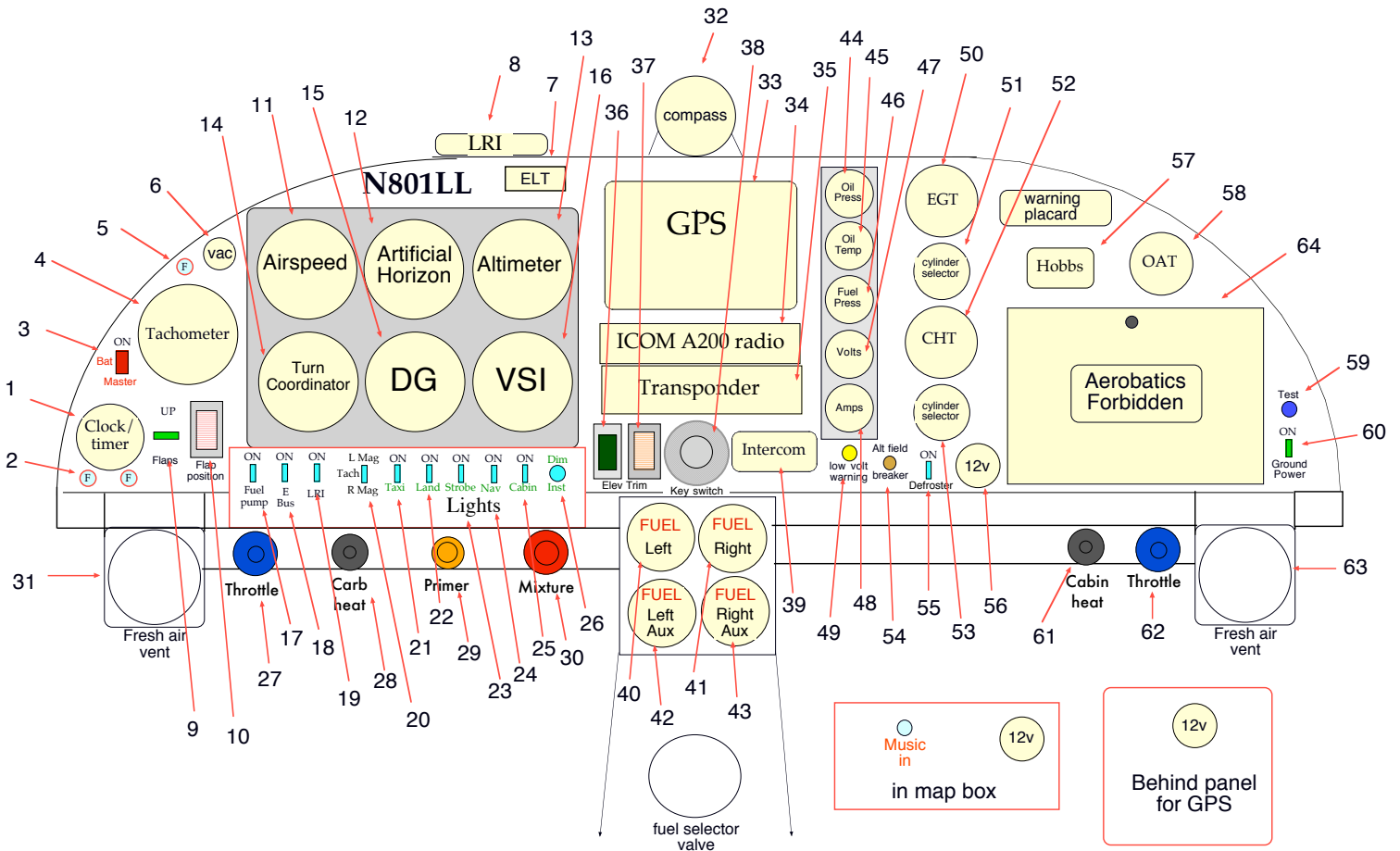


Instrument Panel Devices



Instrument Panel Devices

Left side

1. Clock
2. Clock fuses (2)
3. Master switch
4. Tachometer
5. Tachometer fuse
6. Vacuum gauge
7. ELT
8. LRI LED indicator
9. Flaperon toggle
10. Flaperon LED position indicator
11. Airspeed indicator
12. Artificial horizon
13. Altimeter
14. Turn coordinator
15. Directional gyro
16. Vertical speed indicator
17. Fuel pump toggle
18. E-Bus toggle
19. LRI toggle
20. Magneto select toggle for Tach
21. Taxi light toggle 64. Map box
22. Landing light toggle
23. Strobe light toggle
24. Nav lights toggle
25. Cabin light toggle
26. Inst lights dimming pot
27. Throttle
28. Carb heat
29. Primer
30. Mixture control
31. Fresh air vent

Center

32. Compass
33. GPS
34. Radio
35. Transponder
36. Elevator trim rocker switch
37. Elevator trim position indicator
38. Key switch
39. Intercom
40. Left main fuel gauge
41. Right main fuel gauge
42. Left auxiliary fuel gauge
43. Right auxiliary fuel gauge

Right side

44. Oil press gauge
45. Oil temp gauge
46. Fuel press gauge
47. Voltmeter
48. Ammeter
49. Low voltage warning lamp
50. EGT gauge
51. Cylinder selector for EGT
52. CHT gauge
53. Cylinder selector for CHT
54. Alternator field circuit breaker
55. Defroster fan toggle
56. 12v receptacle
57. Hobbs meter
58. OAT gauge
59. Test lamp for ground power
60. Ground power switch/breaker
61. Cabin heat
62. Throttle
63. Fresh air vent