

CH 750 CRUZER

LIGHT SPORT KIT AIRPLANE

NEW

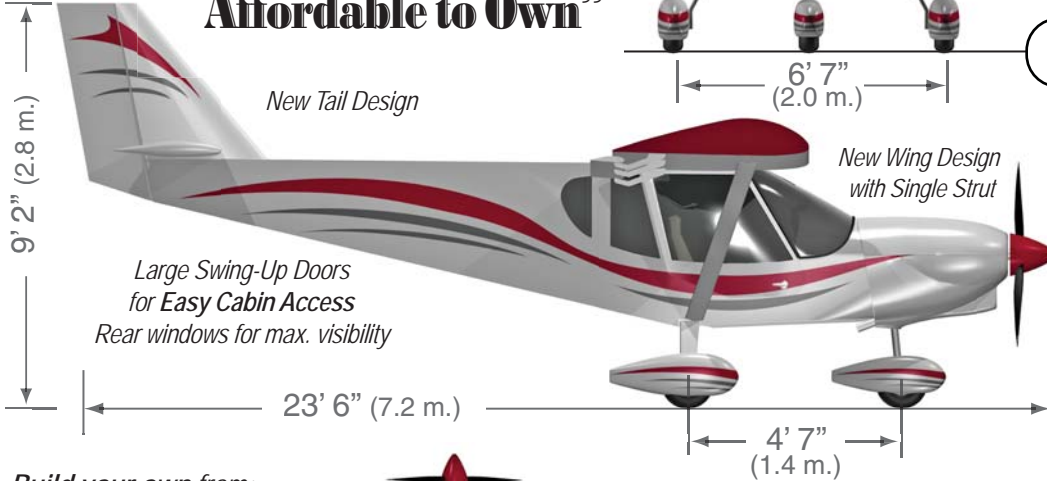
**SPORT
READY
PILOT**

**“Fun to Fly,
Simple to Build
Affordable to Own”**

*Dual Swing-Up Doors
Easy Cabin Access!
Wide & Roomy Cabin!
Superb downward visibility*

NEW Cross-Country Cruiser

Based on the very popular STOL CH 701 / 750 / 801 designs from Chris Heintz that have been popular for nearly three decades, the all new CH 750 CRUZER design incorporates Zenith's proven ease of construction and great flight qualities while being optimized for faster cruise speeds all the while retaining surprisingly short-field capabilities. A new design, the CH 750 CRUZER features a new wing design (with single strut) and a new tail (with fin and rudder).



Build your own from:
- Plans (blueprints),
- Component Kits,
- Complete Kits

**Two Seats
Sport Cruiser
Light Sport Kit Plane**

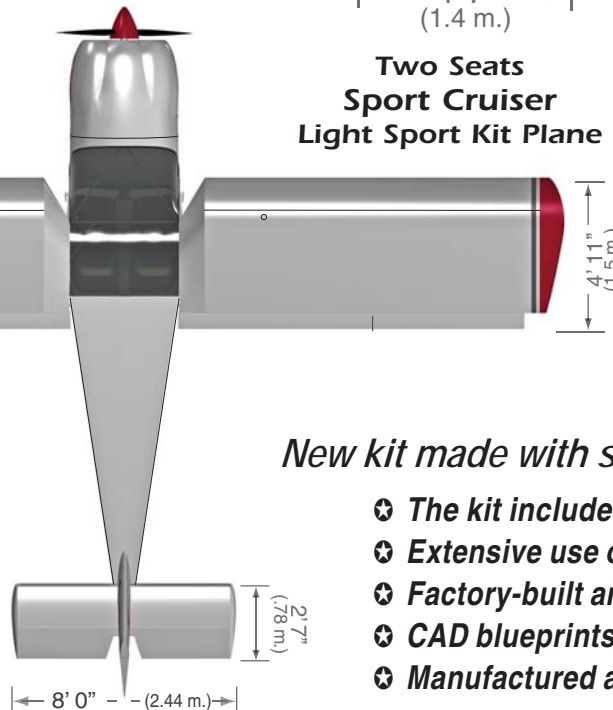
- Fun Cruiser: Efficient performance
- Surprisingly efficient cruise
- Huge cabin, side-by-side seating
- Large rear baggage area
- Spectacular visibility
- Great capabilities and features!
- Ease and simplicity of a steerable tricycle gear.

New kit made with state-of-the-art CNC equipment

- ✦ The kit includes precision CNC cut and drilled parts.
- ✦ Extensive use of “match-hole” assemblies.
- ✦ Factory-built and riveted main wing spars.
- ✦ CAD blueprints and detailed photo assembly manuals.
- ✦ Manufactured and supported in the USA.

Engine Choices:
- **UL Power** engines
- Continental O-200,
- Lycoming 233,
- Rotax 912 series,
- Jabiru 3300,
- auto conversions,
and more...

Suitable engines:
100 - 160 hp; up to 350 lbs.
(installed weight)



AVAILABLE KIT OPTIONS include Complete Instrument Panels, Firewall-Forward Engine Kits, Floats, Upholstery Kits, and more!

Sport Pilot Ready: *Subject to meeting FAA rules as constructed by the builder. Larger and heavier engines and other installed equipment will limit the useful load of the aircraft and affects performance. Specification and performance figures are based on factory prototype test results, and are subject to change and revision without notice. Equipment and availability subject to change.

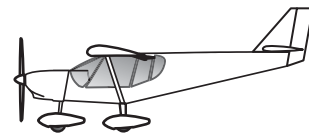
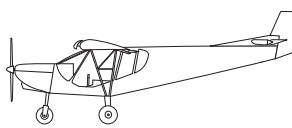
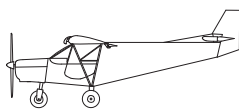
ZENITH AIRCRAFT CO.
1881 Airport Road, Mexico Airport,
Mexico, Missouri 65265-0650 USA
TEL: 573-581-9000 FAX: 573-581-0011



Visit us online for complete details
zenithair.com

NEW

Zenith CH 750 CRUZER



SPECIFICATIONS

The Original
STOL CH 701

The roomier
STOL CH 750

The all new
CH 750 CRUZER

| | | | |
|--|---------------------------|----------------------------------|---------------------------------|
| LENGTH | 20 Ft. 11 In. | 21 Ft. 10 In. | 23 Ft. 6 In. |
| HEIGHT (rudder tip) | 8 Ft. 6 In. | 8 Ft. 8 In. | 9 Ft. 2 In. |
| WING SPAN | 27 Ft. 0 In. | 29 Ft. 9 In. | 29 Ft. 9 In. |
| WING AREA | 122 Sq. Ft. | 144 Sq. Ft. | 144 Sq. Ft. |
| WING CHORD | 4 Ft. 9 In. | 4 Ft. 10 In. | 4 Ft. 11 In. |
| HORIZONTAL TAIL SPAN | 7 Ft. 4 In. | 8 Ft. 5 In. | 7 Ft. 8 In. |
| EMPTY WEIGHT | 580 Lbs. | 775 Lbs. | 780 Lbs. |
| GROSS WEIGHT | 1,100 Lbs. | 1,320 Lbs. LSA Limit | 1,320 Lbs. LSA Limit |
| New: Design Gross Weight Increase (Edition 2) | | 1,440 Lbs. | 1,440 Lbs. |
| USEFUL LOAD | 520 Lbs. | 545 Lbs. / 665 Lbs. | 540 Lbs. / 660 Lbs. |
| FUEL CAPACITY (Standard) | 20 US Gal. | 24 US Gal. | 30 US Gal. |
| WING LOADING | 9.0 Lbs./Ft. ² | 9.15 Lbs./Ft.² | 9.3 Lbs./Ft.² |
| POWER LOADING (100-hp) | 13.75 Lbs./BHP | 13.20 Lbs./BHP | 10.15 Lbs./BHP |
| DESIGN LOAD FACTOR (Ultimate) | +6 / -3 G | +6 / -3 G | +6 / -3 G |
| CABIN WIDTH (Shoulders, <u>without</u> bubble doors) | 41 Inches | 42 Inches | 42 Inches |
| NEVER EXCEED SPEED (VNE) | 110 MPH | 125 MPH | 145 MPH |
| SUITABLE POWER / Max Engine Weight | 65 - 100 hp / 185 lbs. | 100 - 160 hp / 350 lbs. | 100 - 160 hp / 350 lbs. |

PERFORMANCE *at Gross Weight*

| | STOL CH 701 | STOL CH 750 | CH 750 CRUZER |
|---|------------------------|---------------------------------|--------------------------------|
| <i>Engine (as tested):</i> | Rotax 912 ULS - 100 hp | Jabiru 3300 - 105 hp @ 2950 rpm | UL350iS - 125 hp @ 2900 rpm |
| TAKE-OFF ROLL | 90 Ft. | 100 Ft. | 350 Ft. |
| LANDING ROLL | 100 Ft. | 125 Ft. | 350 Ft. |
| MAX. LEVEL SPEED | 95 MPH | 105 MPH | 125 MPH |
| CRUISE SPEED (75%) | 80 MPH | 100 MPH | 118 MPH |
| STALL SPEED (Flaps Down) | 30 MPH | 35 MPH | 39 MPH |
| RATE OF CLIMB | 1,000 fpm | 1,000 fpm | 1,200 fpm |
| SERVICE CEILING | 14,000+ Ft. | 14,000+ Ft. | 14,000+ Ft. |
| RANGE (Standard, no reserve) - ENDURANCE | 400 miles 5 Hours | 440 miles 4.4 Hours | 525 miles 4.5 Hours |

KIT PRICING *US Funds*

| | <i>The Original</i> STOL CH 701 | <i>The NEW</i> STOL CH 750 | <i>Introductory Price</i> CH 750 CRUZER |
|---|---|--------------------------------------|---|
| <i>Airframe Kit</i> | \$ 10,795. | \$ 14,990. | \$ 16,490. |
| <i>Finishing Kit (firewall-back)</i> | \$ 3,195. | \$ 4,490. | \$ 4,990. |
| <i>Drawings and Manuals (included in kit)</i> | \$ 425. | \$ 495. | \$ 575. |

ZENITH AIRCRAFT CO.
1881 Airport Road, Mexico Airport,
Mexico, Missouri 65265-0650 USA
TEL: 573-581-9000 FAX: 573-581-0011



Visit us online for complete details
zenithair.com

Prices in US Funds. Prices and availability subject to change without notice.
Prices are F.O.B. Factory. Crating and shipping charges are extra.

750-701-750crz-5-2014-price-flyer-p2.pdf 6/14