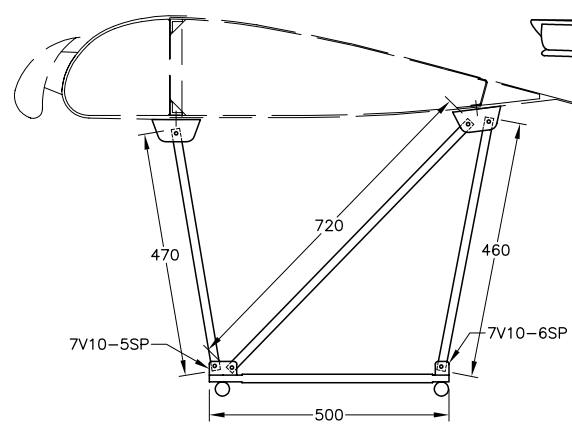
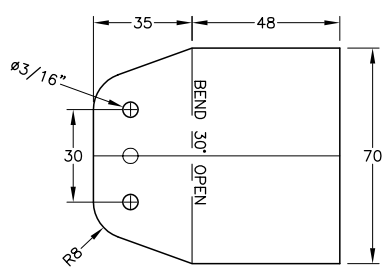


1SP FRONT STRUTS
WELDED ASSEMBLY (2 REQ'D)

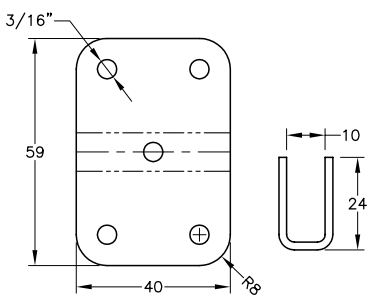
2SP REAR STRUTS
WELDED ASSEMBLY (1L & 1R REQ'D)



3SP JURY STRUTS
.500"OD X .035" (8 REQ'D)

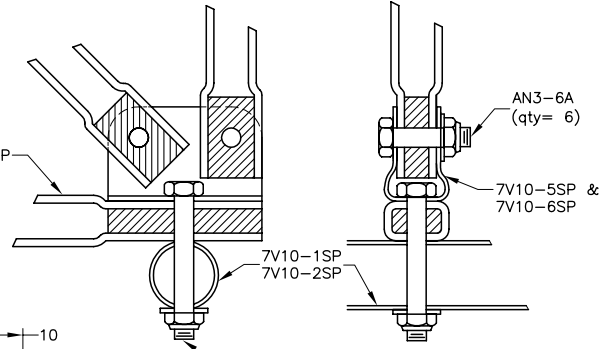
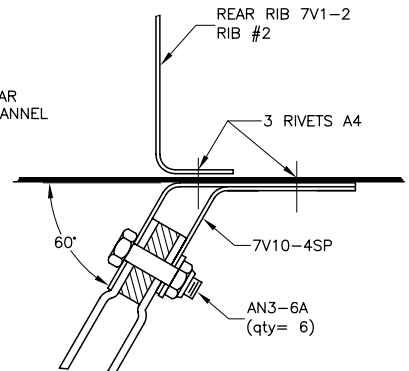
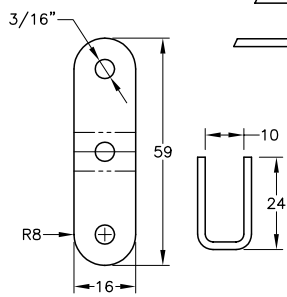


4SP JURY STRUT ANGLE
t=.025" (4 + 4 BRACKETS REQ'D)



5SP JURY STRUT BRACKETS
4130N t=.049" (2 REQ'D)

6SP JURY STRUT BRACKETS
4130N t=.049" (2 REQ'D)



7SP JURY STRUT CAP
t=.250" l=21 (12 REQ'D) l=38 (4 REQ'D)

