



From The Original
SAM Aircraft
Comes The All-New
SAM-EX

Classic Lines

Retro Styling

Modern Engineering



State-of-the-art manufacturing:
Standard and Advanced Quick-Build
Kits from leaders in the kit aircraft
industry.



sam-aircraft.com

FLY WITH
Style

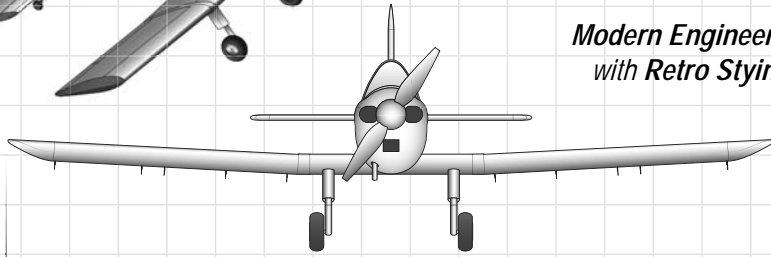
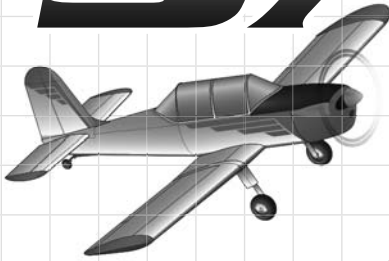
Manufactured and supported by:



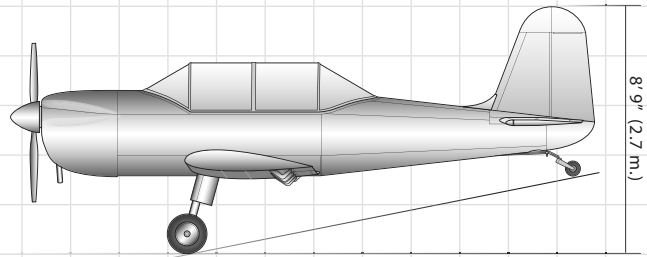
www.zenithair.com

SAM EX

FLY WITH *Style*



Modern Engineering
with Retro Styling



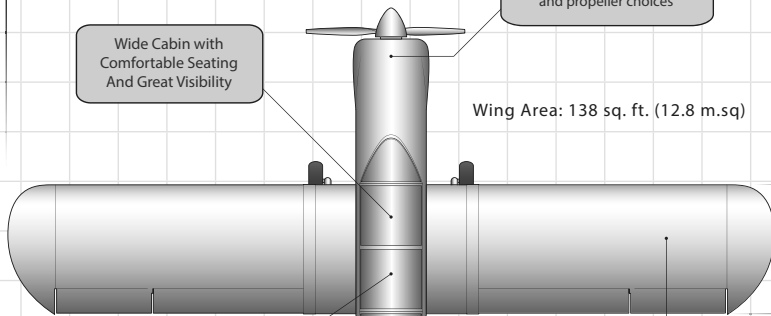
8' 9" (2.7 m.)

28' 6" (8.7 m.)

180-hp Lycoming O-360
Many other supported engine
and propeller choices

Wide Cabin with
Comfortable Seating
And Great Visibility

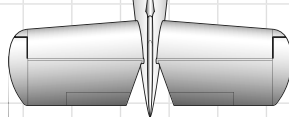
Wing Area: 138 sq. ft. (12.8 m.sq)



4' 10" (1.48 m.)

26-inch Cabin Width
with Armrests on Both Sides.
Adjustable Seats

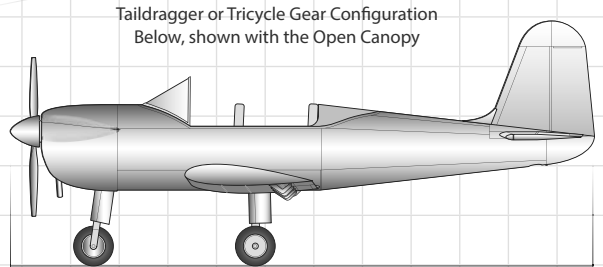
Different configurations
and models available:
LSA, Amateur-Built, and more



10' 6" (3.2 m.)



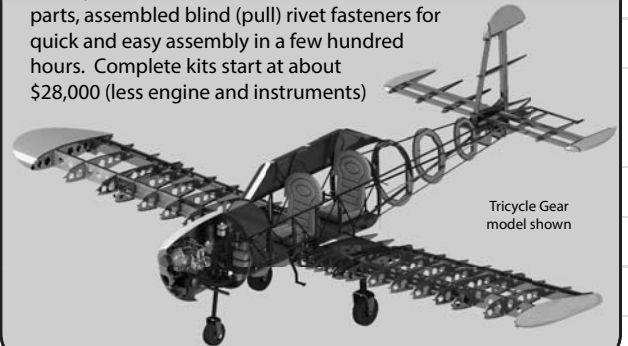
Modern
instrument panel



Taildragger or Tricycle Gear Configuration
Below, shown with the Open Canopy

21' 2" (6.45 m.)

The SAM-EX aircraft is being offered as a complete easy-to-build kit, manufactured and supported Zenith Aircraft Company. The all-metal kit features advanced CNC manufactured parts with extensive use of final hole size match-drilled parts, assembled blind (pull) rivet fasteners for quick and easy assembly in a few hundred hours. Complete kits start at about \$28,000 (less engine and instruments)



Tricycle Gear
model shown

Specifications & Performance (with 180-hp Lycoming O-360)

Empty Weight: 1,150 lbs.	Cruise (75%): 142 mph
Gross Weight: 1,800 lbs.	Stall: 50 mph
Useful Load: 650 lbs.	Rate of Climb: 1,600 fpm
Fuel Capacity: 38 US Gal.	Take-Off Roll: 680 ft. (over 50' obs.)

All figures are estimates based on prototype results and are subject to change without prior notice.



www.sam-aircraft.com

Superb controls, crisp handling and great visibility make the SAM-EX Aircraft the perfect sport airplane for utility category operations, including sport aerobatics!

NOW AVAILABLE AS AN EASY-TO-BUILD KIT, MANUFACTURED AND SUPPORTED IN THE USA BY ZENITH AIRCRAFT COMPANY

Build your own SAM Aircraft from the complete kit, developed specifically for the first time builder, or from component buy-as-you-build kits. Many available kit options allow you to fully customize your own SAM Aircraft. Standard and Advanced Quick Build Kits are available, as well as accelerated builder assistance programs.

ZENITH AIRCRAFT CO.

1881 Airport Road, Mexico Airport,
Mexico, Missouri 65265-0650 USA

TEL: 573-581-9000 FAX: 573-581-0011

 [Facebook.com/zenithair](https://www.facebook.com/zenithair)



Visit us online for complete details
zenithair.com