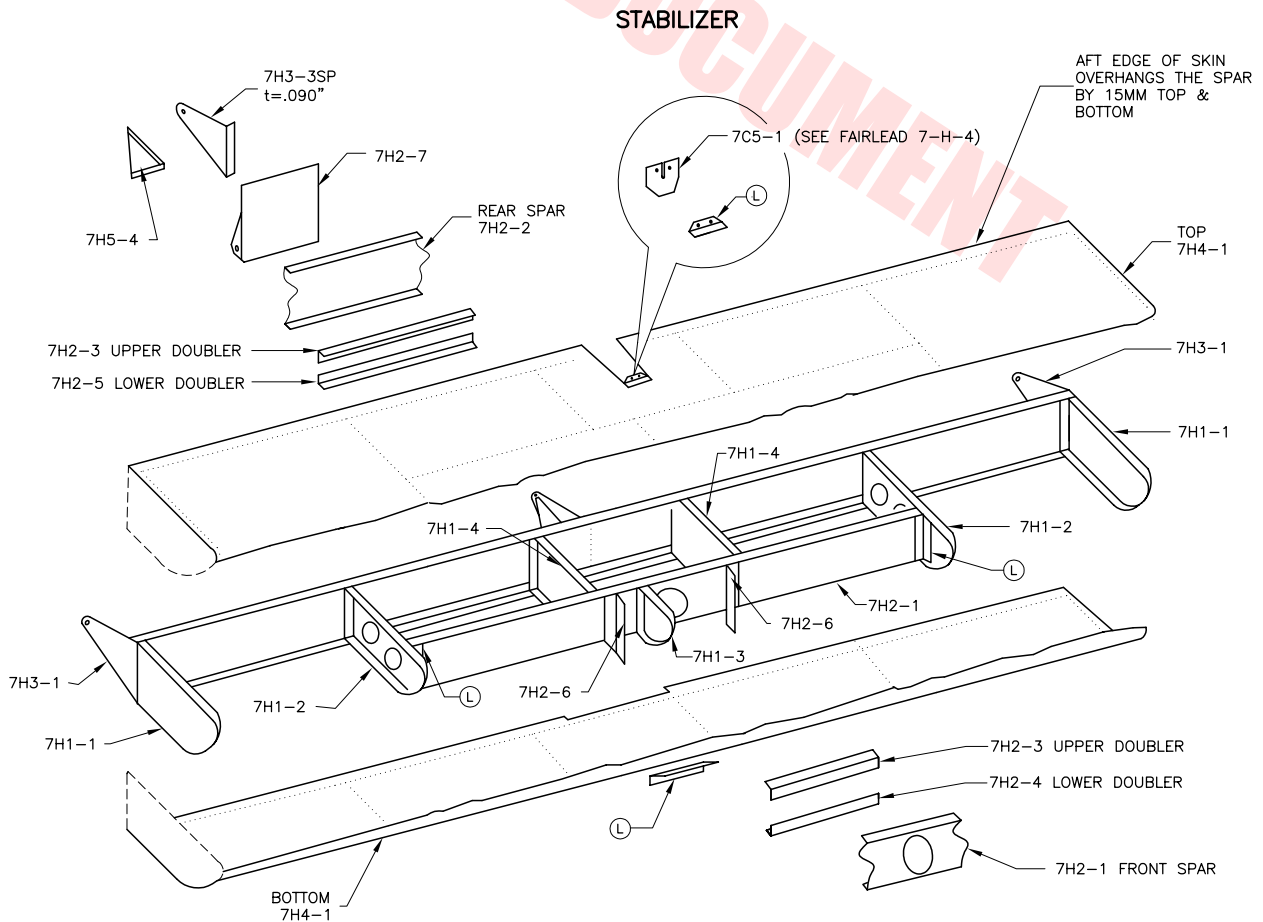


ELEVATOR



STABILIZER

STOL
CH 701

HORIZONTAL TAIL: EXPLODED VIEW

7-H-0

COPYRIGHT © 2001 ZENITH AIRCRAFT CO. WWW.ZENITHAIR.COM

EDITION: 4th 06/2001